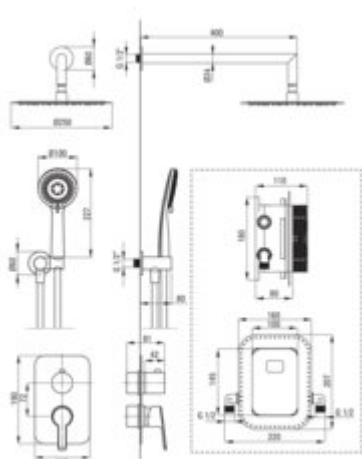


ARNIKA

Concealed shower set, with mixer BOX

Product code: BXYZRQAM
EAN: 5907650844884
Color: brushed gold
Warranty [years]: 7



Mixer (BXY_X44M)

| | |
|---------------------|------------------------|
| Mixer type | Concealed BOX, mixer |
| Installation method | concealed |
| Flow class [l/min] | B ≤ 25.2 (19.9 - 25.2) |
| Acoustic group [dB] | I (x ≤ 20) |

Mixer (BXY_RQAM)

| | |
|---------------------|----------------------|
| Mixer type | Concealed BOX, mixer |
| Installation method | concealed |

Spout

| | |
|----------------------------------|-----|
| Range of shower/ bath spout [mm] | 388 |
|----------------------------------|-----|

Shower overhead

| | |
|---------------------|-----------|
| Shape | round |
| Material | steel 304 |
| Diameter [mm] | 250 |
| Anti-calc | yes |
| Number of functions | 1 |
| Stream type | rain |

Hand shower

| | |
|---------------------|---------------------------|
| Number of functions | 3 |
| Anti-calc | yes |
| Stream type | rain, mixed, hydromassage |

Hose

| | |
|----------------|------|
| Length [mm] | 1500 |
| Braid material | PVC |
| Anti-twist | 1 |

Angled hose connector

| | |
|--------------------|--------------------------------------|
| Finish | brushed gold |
| Connection type | for the hose with hand shower holder |
| Shape | round |
| Material | brass |
| Connection thread | yes |
| Concealed mounting | yes |

Features:

- Deante Design Studio Collection
- Design full of beauty and harmony
- The variety of colours gives many arrangement possibilities
- Convenient installation - you can install the BOX now and choose external elements at any
- Timelessness and unlimited creative possibilities
- Complementarity and comprehensiveness of the offer
- The best materials guarantee durability and reliability of the product
- Innovative and easy to maintain brushed gold coating
- Adjustable shower hand angle
- Only the best materials, the quality of which has been confirmed by laboratory tests
- Ultra thin steel head
- Anti-calc system facilitating the removal of limescale deposits
- Anti-calc hand shower
- Anti-twist system, preventing the hose from twisting