

# FUNKIA EVO

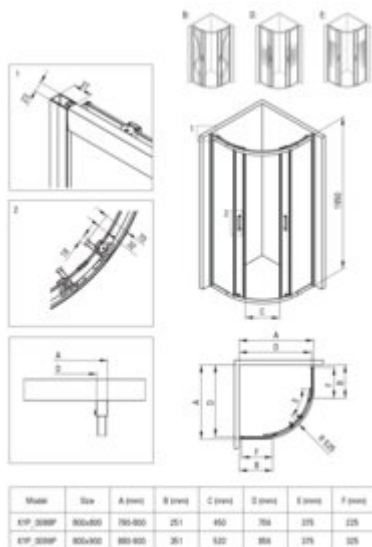
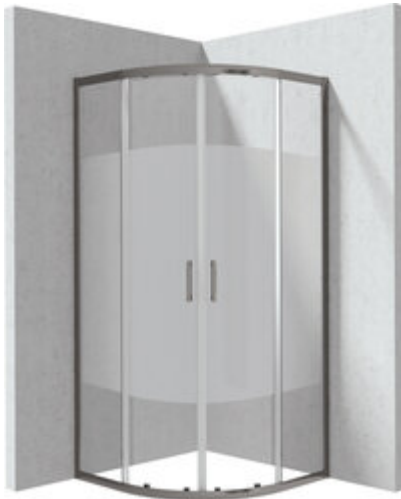
## Shower cabin, half round

**Product code:** KYP\_DE99P

**EAN:** 5907650899983

**Color:** titanium

**Warranty [years]:** 5



Finish	titanium
Shape	half round
Width [mm]	900
Height [mm]	1950
Glass finish	transparentne wzór pas
Glass thickness [mm]	5
Active cover	yes
Adjustment range up to [mm]	20
Masking of assembly elements	yes
Profiles levelling the curvature of the walls	yes
Reversible doors	yes
Installation without shower tray possible	yes
Water drainage system inside the cabin	no
Double top rollers with ball bearings	yes
Detachable lower rollers	yes
Quick assembly with clips	yes

### Features:

- An innovative combination of granite and steel
- Hydrophobic Active-Cover coating that makes it easier for water to run off the glass
- Active Cover coating
- Double top rollers with ball bearings
- Bottom rollers allow for the door detachment and easier product care
- Possibility to install the cabin without a shower tray, directly on the tiles
- Safe and durable tempered glass
- Resistance to impacts, chemicals and stains in accordance with PN-EN 14428+A1:2008 norm, c
- The profile system makes it possible to reduce the curvature of the walls
- Covering of assembly elements
- Only the best materials, the quality of which has been confirmed by laboratory tests
- Dedicated cleaning agent, safe for cleaned surfaces