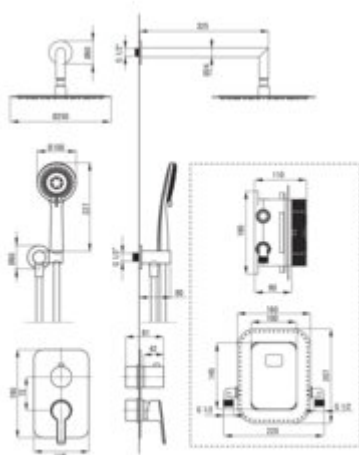


ARNIKA  
Concealed shower set, with mixer  
BOX

Product code: BXYZNQAM  
EAN: 5907650821076  
Color: nero  
Warranty [years]: 7



#### Mixer

Mixer type	Concealed BOX, mixer
Installation method	concealed
Flow class [l/min]	B <= 25.2 (19.9 - 25.2)
Acoustic group [dB]	I (x <= 20)

#### Spout

Spout type	still
Range of shower/ bath spout [mm]	325

#### Shower overhead

Shape	round
Material	brass
Diameter [mm]	250
Anti-calc	yes
Number of functions	1

#### Hand shower

Number of functions	3
Anti-calc	yes
Stream type	rain, mixed, hydromassage

#### Hose

Length [mm]	1500
Braid material	PVC
Anti-twist	1

#### Angled hose connector

Finish	nero
Connection type	for the hose with hand shower holder
Shape	round
Material	brass
Connection thread	yes
Concealed mounting	yes

#### Features:

- Deante Design Studio Collection
- Convenient installation - you can install the BOX now and choose external elements at any
- The best materials guarantee durability and reliability of the product
- Timelessness and unlimited creative possibilities
- Complementarity and comprehensiveness of the offer
- 3-function hand shower
- Anti-calc system facilitating the removal of limescale deposits
- Anti-calc hand shower
- Innovative, durable and easy to clean Nero coating
- Adjustable shower hand angle
- Anti-twist system, preventing the hose from twisting
- Durable hose ends made of brass
- Dedicated cleaning agent, safe for cleaned surfaces
- The variety of colours gives many arrangement possibilities
- Design full of beauty and harmony
- Only the best materials, the quality of which has been confirmed by laboratory tests
- Flush-mounted installation ensures the aesthetics of the bathroom