

FUNKIA EVO

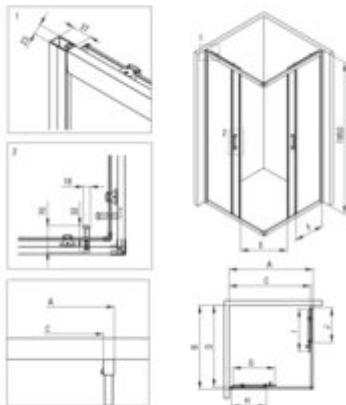
Shower cabin with tray, rectangular

Product code: KYCPD089P

EAN: 5908322031946

Color: titanium

Warranty [years]: 5



Model	Size	A [mm]	B [mm]	C [mm]	D [mm]	E [mm]	F [mm]	G [mm]	H [mm]	I [mm]	J [mm]
KYC_e+SP	800x900	790-800	890-900	275	855	440	200	140	305	290	275

Showe cabin

Finish	titanium
Shape	rectangular
Width [mm]	800
Length [mm]	900
Height [mm]	1950
Glass finish	transparent
Glass thickness [mm]	5
Active cover	yes
Adjustment range up to [mm]	20
Masking of assembly elements	yes
Profiles levelling the curvature of the walls	yes
Reversible doors	yes
Installation without shower tray possible	yes
Double top rollers with ball bearings	yes
Detachable lower rollers	yes
Quick assembly with clips	yes

Shower tray

Finish	white
Material	acrylic
Shape	rectangular
Width [mm]	800
Length [mm]	900
Height [mm]	45
Installation method	directly on the spout, on the floor level, on the construction material support
Drain diameter	90

Features:

- An innovative combination of granite and steel
- Durable acrylic material that maintains its shine and color
- Only the best materials, the quality of which has been confirmed by laboratory tests
- For installation at floor level, directly on the screed or supported by construction mater
- Note! The NHC_029C and NHC_029D siphons are compatible with the shower tray.
- Hydrophobic Active-Cover coating that makes it easier for water to run off the glass
- Dedicated to Active Cover surfaces
- Double top rollers with ball bearings
- Bottom rollers allow for the door detachment and easier product care
- Safe and durable tempered glass
- Resistance to impacts, chemicals and stains in accordance with PN-EN 14428+A1:2008 norm, c
- The profile system makes it possible to reduce the curvature of the walls
- Covering of assembly elements