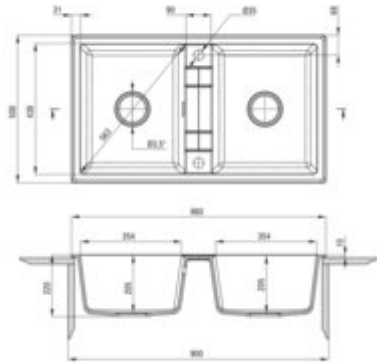


ERIDAN
Granite sink, 2-bowl

Product code: ZQE_G203
EAN: 5908212081365
Color: metallic graphite
Warranty [years]: 18



Sink

Finish	metallic graphite
Surface type	matte
Material	granite
Installation method	inset
Number of bowls	2
Minimum cabinet width [mm]	900
Width [mm]	500
Length [mm]	860
Height [mm]	220
Bowl depth [mm]	205
2nd bowl depth [mm]	205
Cut-out Length [mm]	840
Cut-out Width [mm]	480
Reversible	no
Equipped with accessories	yes
Drain diameter	3.5"
Number of holes	2

Sink waste kit

Finish	nero
Plug type	automatic, with a button, manual
Low siphon/ Space saver	yes
possibility to connect a dishwasher/ washing machine	yes

Features:

- Deante Design Studio Collection
- Properties of Deante granite: resistance to impact, high temperature, discoloration, therm
- Longest, 18 years warranty
- The sink is equipped with fittings with a connection to the dishwasher
- Hydrophobic properties repel water molecules
- The exceptionally spacious and deep bowl will even accommodate trays taken out of the oven
- Dedicated cleaning agent, safe for cleaned surfaces
- Strainer uniformly dyed in mass
- Space-saving siphon which facilitates e.g. sorting waste
- The finish enriched with silver ions adds antiseptic properties
- Possibility to purchase a drainer that perfectly fits this model
- Automatic plug activated with a CLICK button