

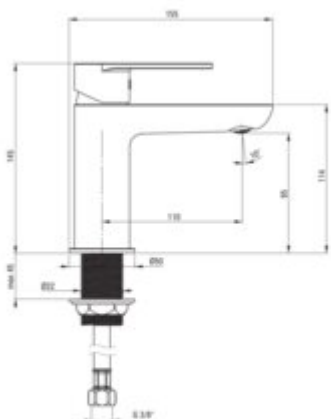
# ALPINIA Washbasin tap

Product code: BGA\_N20M

EAN: 5907650815365

Color: nero

Warranty [years]: 7



## Mixer

|                          |                      |
|--------------------------|----------------------|
| Finish                   | nero                 |
| Material                 | brass                |
| Mixer type               | single-handle, mixer |
| Installation method      | standing             |
| Total mixer height [mm]  | 145                  |
| Flow class [l/min]       | Z - 4-9 l/min        |
| Acoustic group [dB]      | I (x <= 20)          |
| Plug included in the set | no                   |

## Mixer cartridge

|                        |       |
|------------------------|-------|
| Ceramic cartridge size | 35 mm |
|------------------------|-------|

## Spout

|                        |       |
|------------------------|-------|
| Spout type             | still |
| Mixer spout range [mm] | 110   |
| Material               | brass |

## Aerator

|              |           |
|--------------|-----------|
| Aerator type | coin-slot |
| Aerator size | M24       |

## Connecting hose

|                     |      |
|---------------------|------|
| Length [mm]         | 450  |
| Installation thread | 3/8" |
| Connection thread   | M10  |

## Features:

- Light and subtle design
- Coin-slot aerator
- Z flow class (4-9 l/min) allowing for water consumption reduction
- The mounting sleeve facilitates the installation of the mixer
- 45 cm connection hoses included
- Innovative, durable and easy to clean Nero coating
- Only the best materials, the quality of which has been confirmed by laboratory tests
- The mixer body is made of the highest quality brass
- The mixer is equipped with a stream aerator
- Cleaning agent for fixtures in all colors available