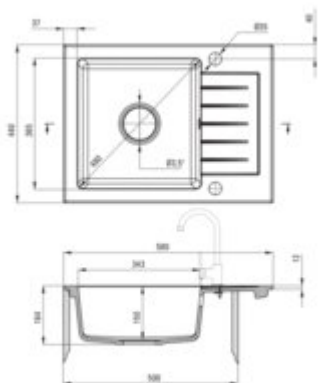


ZORBA

Granite sink, 1-bowl with drainer



Product code: ZQZ_T11A
EAN: 5908212096505
Color: anthracite metallic
Warranty [years]: 18



Sink

Finish	anthracite metallic
Surface type	matte
Material	granite
Installation method	inset
Number of bowls	1
Minimum cabinet width [mm]	500
Width [mm]	440
Length [mm]	580
Height [mm]	164
Bowl depth [mm]	150
Cut-out Length [mm]	560
Cut-out Width [mm]	420
Reversible	yes
Equipped with accessories	yes
Drain diameter	3.5"
Number of holes	2

Sink waste kit

Finish	steel
Plug type	automatic
Low siphon/ Space saver	yes
possibility to connect a dishwasher/ washing machine	yes

Features:

- Properties of Deante granite: resistance to impact, high temperature, discoloration, therm
- Longest, 18 years warranty
- The sink is equipped with fittings with a connection to the dishwasher
- Accessories with automatic shut-off of the drain
- Hydrophobic properties repel water molecules
- The finish enriched with silver ions adds antiseptic properties
- Reversible sink - possibility to install the bowl on the left or the right side
- Dedicated cleaning agent, safe for cleaned surfaces
- Space-saving siphon which facilitates e.g. sorting waste