

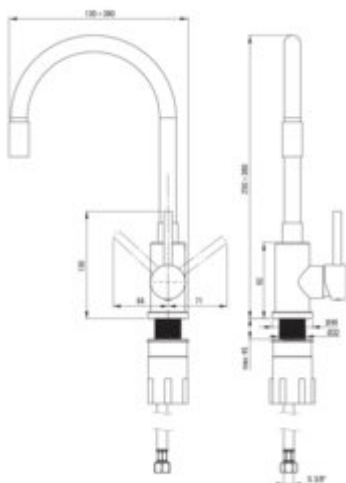
# LUNO Kitchen tap

Product code: BOC\_N72M

EAN: 5907650810148

Color: nero

Warranty [years]: 7



## Mixer

Finish	nero
Material	steel 304
Mixer type	single-handle, mixer
Installation method	standing
Total mixer height [mm]	400
Flow class [l/min]	A <= 15 (9.1 - 15)
Acoustic group [dB]	I (x <= 20)

## Mixer cartridge

Ceramic cartridge size	35 mm
------------------------	-------

## Spout

Spout type	elastic
Mixer spout range [mm]	380

## Aerator

Aerator type	honeycomb
Aerator size	M22

## Connecting hose

Length [mm]	600
Installation thread	3/8"
Connection thread	M10

## Features:

- Cleaning agent for fixtures in all colors available