

ARNIKA

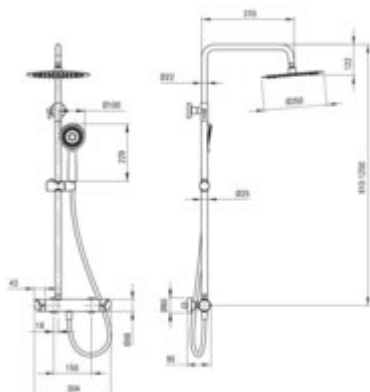
Shower column, with shower mixer

Product code: NAC_N1QK

EAN: 5908212076415

Color: nero

Warranty [years]: 5



Shower column

| | |
|----------------------------------|------------------------|
| Finish | nero |
| mixer | yes |
| Flow class [l/min] | 15<= S <20 (15 - 19.9) |
| Rain head height adjustment | yes |
| Bar height adjustment from [mm] | 950 |
| Bar height adjustment up to [mm] | 1250 |

Rail

| | |
|---------------------|------------------------------|
| Material | steel 304, brass, ABS |
| Additional features | adjustable shower head angle |

Shower overhead

| | |
|--|-----------------|
| Shape | round |
| Material | stainless steel |
| thickness | 55 |
| Diameter [mm] | 250 |
| Anti-calc | yes |
| Stream type | rain |
| Quick response time for turning the water on and off | yes |

Hand shower

| | |
|---------------------|------|
| Number of functions | 1 |
| Anti-calc | yes |
| Stream type | rain |

Hose

| | |
|----------------|------|
| Length [mm] | 1500 |
| Braid material | PVC |
| Anti-twist | 1 |

Mixer

| | |
|------------|-------------------|
| Mixer type | mixer, two-handle |
|------------|-------------------|

Features:

- Deante Design Studio Collection
- Steel bar
- Anti-twist system, preventing the hose from twisting
- The hand shower with Anti-calc system facilitates the removal of limescale
- Durable hose ends made of brass
- Only the best materials, the quality of which has been confirmed by laboratory tests
- Innovative, durable and easy to clean Nero coating
- Ultra thin steel head
- Bar made of durable brass
- Anti-calc system facilitating the removal of limescale deposits
- The set includes an orifice reducing the flow of water
- Design full of beauty and harmony
- The variety of colours gives many arrangement possibilities
- Dedicated cleaning agent, safe for cleaned surfaces
- Adjustable rain shower height
- The mixer body is made of the highest quality brass