

# SQUARE

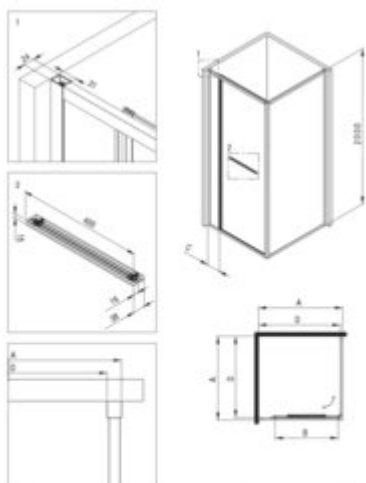
## Shower cabin, square

**Product code:** KQB\_0088P

**EAN:** 5907650898276

**Color:** chrome

**Warranty [years]:** 5



KQB	Size	A [mm]	B [mm]	C [mm]	D [mm]
KQB_0088P	800x800	790-800	800	172	755-776
KQB_0088P	900x900	890-900	900	172	855-876

Finish	chrome
Shape	square
Width [mm]	800
Length [mm]	800
Height [mm]	2000
Glass finish	transparent
Glass thickness [mm]	6
Active cover	yes
Adjustment range up to [mm]	20
Masking of assembly elements	yes
Profiles levelling the curvature of the walls	yes
Reversible doors	yes
Installation without shower tray possible	yes
Double top rollers with ball bearings	yes
Detachable lower rollers	yes

### Features:

- The doors slide inside the enclosure - more space in every bathroom.
- Safe and durable tempered glass
- Hydrophobic Active-Cover coating that makes it easier for water to run off the glass
- Only the best materials, the quality of which has been confirmed by laboratory tests
- Dedicated to Active Cover surfaces
- Resistance to impacts, chemicals and stains in accordance with PN-EN 14428+A1:2008 norm, c
- Possibility to install the cabin without a shower tray, directly on the tiles
- Reversible door that allows the cabin to be mounted on the right or left side
- Profiles leveling the curvature of the walls
- Covering of assembly elements
- Double top rollers with ball bearings
- Dedicated cleaning agent, safe for cleaned surfaces
- Innovative, durable and easy to clean Titanium coating
- Innovative, durable and easy to clean Nero coating