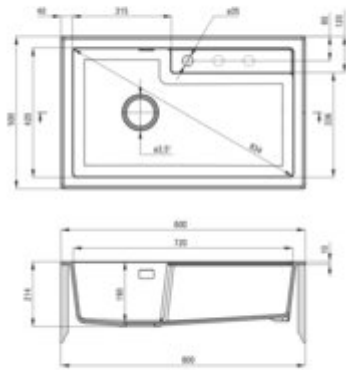


ERIDAN
Granite sink, 1-bowl



Product code: ZQE_S10B
EAN: 5908212080795
Color: metallic grey
Warranty [years]: 18



Sink

| | |
|-----------------------------|---------------|
| Finish | metallic grey |
| Surface type | matte |
| Material | granite |
| Installation method | inset |
| Number of bowls | 1 |
| Minimum cabinet width [mm] | 800 |
| Width [mm] | 500 |
| Length [mm] | 800 |
| Height [mm] | 214 |
| Bowl depth [mm] | 190 |
| Cut-out Length [mm] | 780 |
| Cut-out Width [mm] | 480 |
| Equipped with accessories | yes |
| Drain diameter | 3.5" |
| Number of holes | 1 |
| Number of pre-drilled holes | 2 |

Sink waste kit

| | |
|---|--------------------------|
| Finish | steel |
| Plug type | automatic, with a button |
| Low siphon/ Space saver | yes |
| possibility to connect a dishwasher/ washing machine | yes |

Features:

- Properties of Deante granite: resistance to impact, high temperature, discoloration, therm
- Longest, 18 years warranty
- The sink is equipped with fittings with a connection to the dishwasher
- Hydrophobic properties repel water molecules
- The exceptionally spacious and deep bowl will even accommodate trays taken out of the oven
- Additional milled holes for mounting a dispenser or other accessories
- Dedicated cleaning agent, safe for cleaned surfaces
- Space-saving siphon which facilitates e.g. sorting waste
- The finish enriched with silver ions adds antiseptic properties
- Automatic plug activated with a CLICK button