

# ZORBA

## Granite sink, 1-bowl with drainer

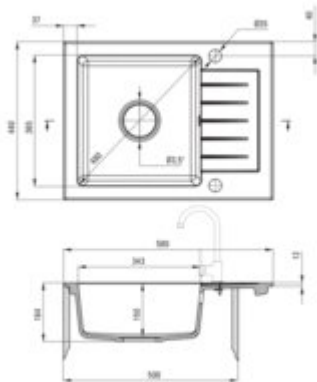


**Product code:** ZQZ\_A11A

**EAN:** 5908212043691

**Color:** alabaster

**Warranty [years]:** 18



### Sink

Finish	alabaster
Surface type	matte
Material	granite
Installation method	inset
Number of bowls	1
Minimum cabinet width [mm]	500
Width [mm]	440
Length [mm]	580
Height [mm]	164
Bowl depth [mm]	150
Cut-out Length [mm]	560
Cut-out Width [mm]	420
Reversible	yes
Equipped with accessories	yes
Drain diameter	3.5"
Number of holes	2

### Sink waste kit

Finish	steel
Plug type	automatic
Low siphon/ Space saver	yes
possibility to connect a dishwasher/ washing machine	yes

### Features:

- Properties of Deante granite: resistance to impact, high temperature, discoloration, therm
- Longest, 18 years warranty
- The sink is equipped with fittings with a connection to the dishwasher
- Accessories with automatic shut-off of the drain
- Hydrophobic properties repel water molecules
- Reversible sink - possibility to install the bowl on the left or the right side
- Dedicated cleaning agent, safe for cleaned surfaces
- Space-saving siphon which facilitates e.g. sorting waste
- The finish enriched with silver ions adds antiseptic properties