

FUNKIA EVO

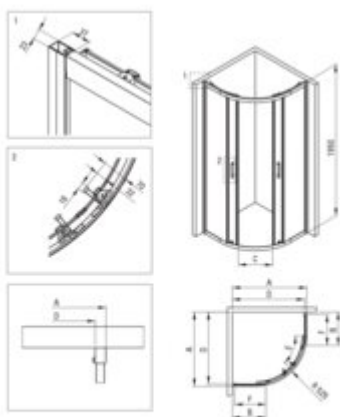
Shower cabin with tray, half round

Product code: KYPZ0099P

EAN: 5908027202313

Color: chrome

Warranty [years]: 5



| Model | Size | A [mm] | B [mm] | C [mm] | D [mm] | E [mm] | F [mm] |
|------------|---------|--------|--------|--------|--------|--------|--------|
| KYP_Z0099P | 900x900 | 900 | 900 | 550 | 160 | 50 | 50 |

Showe cabin

| | |
|---|-------------|
| Finish | chrome |
| Shape | half round |
| Width [mm] | 900 |
| Height [mm] | 1950 |
| Glass finish | transparent |
| Glass thickness [mm] | 5 |
| Active cover | yes |
| Adjustment range up to [mm] | 20 |
| Masking of assembly elements | yes |
| Profiles levelling the curvature of the walls | yes |
| Reversible doors | yes |
| Installation without shower tray possible | yes |
| Double top rollers with ball bearings | yes |
| Detachable lower rollers | yes |
| Quick assembly with clips | yes |

Shower tray

| | |
|---|--------------------|
| Finish | white |
| Material | acrylic |
| Shape | half round |
| Width [mm] | 900 |
| Length [mm] | 900 |
| Height [mm] | 160 |
| Depth [mm] | 50 |
| arc radius [mm] | 550 |
| Installation method | on the floor level |
| Drain diameter | 50 |
| Equipped with a height-adjustable foot | yes |
| Housing integrated with the shower tray | yes |
| Non-slip lugs | yes |

Features:

- An innovative combination of granite and steel
- Hydrophobic Active-Cover coating that makes it easier for water to run off the glass
- Safe and durable tempered glass
- Covering of assembly elements
- Dedicated cleaning agent, safe for cleaned surfaces
- Dedicated to Active Cover surfaces
- Double top rollers with ball bearings
- Bottom rollers allow for the door detachment and easier product care
- Resistance to impacts, chemicals and stains in accordance with PN-EN 14428+A1:2008 norm, c
- The profile system makes it possible to reduce the curvature of the walls
- Only the best materials, the quality of which has been confirmed by laboratory tests
- Durable acrylic material that maintains its shine and color
- Cover integrated with the shower tray