

# FUNKIA EVO

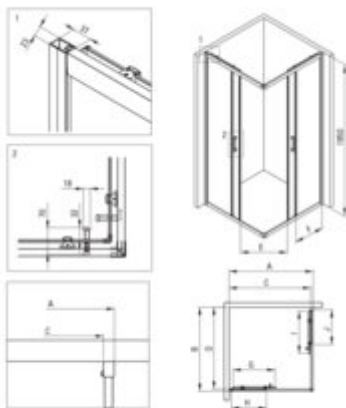
## Shower cabin with tray, square

**Product code:** KYCP0E88P

**EAN:** 5908322047534

**Color:** chrome

**Warranty [years]:** 5



Model	Size	A [mm]	B [mm]	C [mm]	D [mm]	E [mm]	F [mm]	G [mm]	H [mm]	I [mm]	J [mm]
KYC w88P	800x800	790-800	790-800	718	718	405	342	208	718	390	218

### Showe cabin

Finish	chrome
Shape	square
Width [mm]	800
Length [mm]	800
Height [mm]	1950
Glass finish	transparentne wzór pas
Glass thickness [mm]	5
Active cover	yes
Adjustment range up to [mm]	20
Masking of assembly elements	yes
Profiles levelling the curvature of the walls	yes
Reversible doors	yes
Installation without shower tray possible	yes
Double top rollers with ball bearings	yes
Detachable lower rollers	yes
Quick assembly with clips	yes

### Shower tray

Finish	white
Material	acrylic
Shape	square
Width [mm]	800
Length [mm]	800
Height [mm]	45
Installation method	directly on the spout, on the floor level, on the construction material support
Drain diameter	90

### Features:

- An innovative combination of granite and steel
- A shower enclosure designed with privacy in mind
- Hydrophobic Active-Cover coating that makes it easier for water to run off the glass
- Dedicated to Active Cover surfaces
- Double top rollers with ball bearings
- Bottom rollers allow for the door detachment and easier product care
- Possibility to install the cabin without a shower tray, directly on the tiles
- Safe and durable tempered glass
- Resistance to impacts, chemicals and stains in accordance with PN-EN 14428+A1:2008 norm, c
- The profile system makes it possible to reduce the curvature of the walls
- Covering of assembly elements
- Only the best materials, the quality of which has been confirmed by laboratory tests
- Dedicated cleaning agent, safe for cleaned surfaces