

# FUNKIA EVO

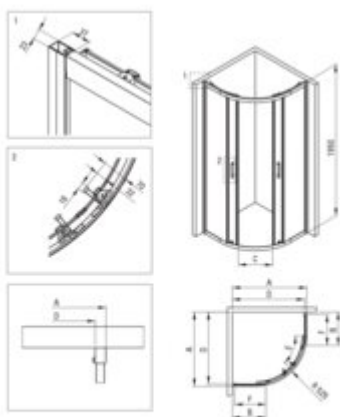
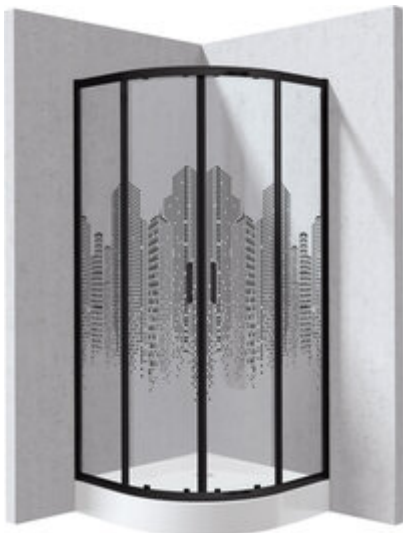
## Shower cabin with tray, half round

**Product code:** KYPZND88P

**EAN:** 5908027202467

**Color:** nero

**Warranty [years]:** 5



| Model      | Size    | A [mm]  | B [mm] | C [mm] | D [mm] | E [mm] | F [mm] |
|------------|---------|---------|--------|--------|--------|--------|--------|
| KYP_ZND88P | 800x800 | 785-800 | 251    | 800    | 784    | 176    | 226    |

### Showe cabin

|   |                           |
|---|---------------------------|
| Finish  | nero                      |
| Shape   | half round                |
| Width [mm]                                    | 800                       |
| Height [mm]                                   | 1950                      |
| Glass finish                                  | transparentne wzór miasto |
| Glass thickness [mm]                          | 5                         |
| Active cover                                  | yes                       |
| Adjustment range up to [mm]                   | 20                        |
| Masking of assembly elements                  | yes                       |
| Profiles levelling the curvature of the walls | yes                       |
| Reversible doors                              | yes                       |
| Installation without shower tray possible     | yes                       |
| Double top rollers with ball bearings         | yes                       |
| Detachable lower rollers                      | yes                       |
| Quick assembly with clips                     | yes                       |

### Shower tray

|   |                    |
|---|--------------------|
| Finish                                  | white              |
| Material                                | acrylic            |
| Shape                                   | half round         |
| Width [mm]                              | 800                |
| Length [mm]                             | 800                |
| Height [mm]                             | 160                |
| Depth [mm]                              | 50                 |
| arc radius [mm]                         | 550                |
| Installation method                     | on the floor level |
| Drain diameter                          | 50                 |
| Equipped with a height-adjustable foot  | yes                |
| Housing integrated with the shower tray | yes                |
| Non-slip lugs                           | yes                |

### Features:

- An innovative combination of granite and steel
- 
- Hydrophobic Active-Cover coating that makes it easier for water to run off the glass
- Safe and durable tempered glass
- Covering of assembly elements
- Dedicated cleaning agent, safe for cleaned surfaces
- Dedicated to Active Cover surfaces
- Double top rollers with ball bearings
- Bottom rollers allow for the door detachment and easier product care
- Resistance to impacts, chemicals and stains in accordance with PN-EN 14428+A1:2008 norm, c
- The profile system makes it possible to reduce the curvature of the walls
- Only the best materials, the quality of which has been confirmed by laboratory tests
- Durable acrylic material that maintains its shine and color