

FUNKIA EVO

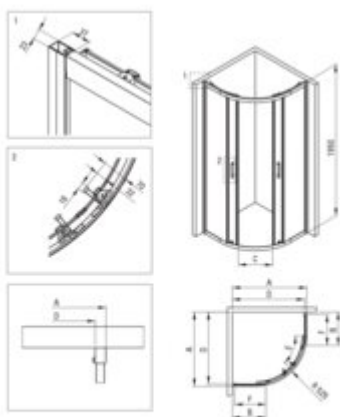
Shower cabin with tray, half round

Product code: KYPZN099P

EAN: 5908027202436

Color: nero

Warranty [years]: 5



Model	Size	A [mm]	B [mm]	C [mm]	D [mm]	E [mm]	F [mm]
KYP_Z099P	900x900	900	900	550	160	50	50

Showe cabin

Finish	nero
Shape	half round
Width [mm]	900
Height [mm]	1950
Glass finish	transparent
Glass thickness [mm]	5
Active cover	yes
Adjustment range up to [mm]	20
Masking of assembly elements	yes
Profiles levelling the curvature of the walls	yes
Reversible doors	yes
Installation without shower tray possible	yes
Double top rollers with ball bearings	yes
Detachable lower rollers	yes
Quick assembly with clips	yes

Shower tray

Finish	white
Material	acrylic
Shape	half round
Width [mm]	900
Length [mm]	900
Height [mm]	160
Depth [mm]	50
arc radius [mm]	550
Installation method	on the floor level
Drain diameter	50
Equipped with a height-adjustable foot	yes
Housing integrated with the shower tray	yes
Non-slip lugs	yes

Features:

- An innovative combination of granite and steel
- Hydrophobic Active-Cover coating that makes it easier for water to run off the glass
- Safe and durable tempered glass
- Covering of assembly elements
- Dedicated cleaning agent, safe for cleaned surfaces
- Dedicated to Active Cover surfaces
- Double top rollers with ball bearings
- Bottom rollers allow for the door detachment and easier product care
- Resistance to impacts, chemicals and stains in accordance with PN-EN 14428+A1:2008 norm, c
- The profile system makes it possible to reduce the curvature of the walls
- Only the best materials, the quality of which has been confirmed by laboratory tests
- Durable acrylic material that maintains its shine and color
- Cover integrated with the shower tray