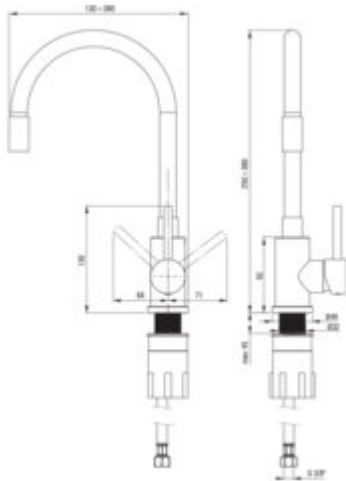


# LUNO

## Kitchen tap

**Product code:** BOC\_W720  
**EAN:** 5907650810155  
**Color:** bianco, brushed steel  
**Warranty [years]:** 7



### Mixer

Finish	steel, white
Material	steel 304
Mixer type	single-handle, mixer
Installation method	standing
Total mixer height [mm]	400
Flow class [l/min]	A <= 15 (9.1 - 15)
Acoustic group [dB]	I (x <= 20)

### Mixer cartridge

Ceramic cartridge size	35 mm
------------------------	-------

### Spout

Spout type	elastic
Mixer spout range [mm]	380

### Connecting hose

Length [mm]	600
Installation thread	3/8"
Connection thread	M10

### Features:

- Cleaning agent for fixtures in all colors available