

# ARNIKA

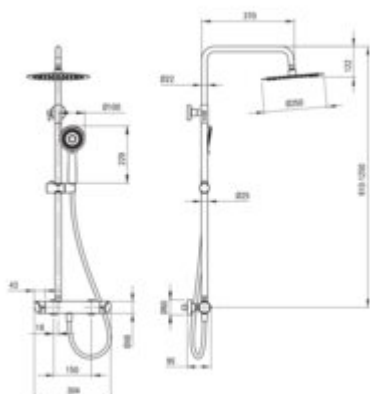
## Shower column, with shower mixer

**Product code:** NAC\_D1QK

**EAN:** 5908212097755

**Color:** titanium

**Warranty [years]:** 5



### Shower column

Finish	titanium
mixer	yes
Flow class [l/min]	15 ≤ S < 20 (15 - 19.9)
Rain head height adjustment	yes
Bar height adjustment from [mm]	910
Bar height adjustment up to [mm]	1250

### Rail

Material	steel 304
Additional features	adjustable shower head angle

### Shower overhead

Shape	round
Material	brass
Diameter [mm]	250
Anti-calc	yes
Number of functions	1
Stream type	rain

### Hand shower

Number of functions	3
Anti-calc	yes
Stream type	rain, mixed, hydromassage

### Hose

Length [mm]	1500
Braid material	PVC
Anti-twist	1

### Mixer

Mixer type	mixer, two-handle
Check valves	yes

### Features:

- Deante Design Studio Collection
- Steel bar
- Only the best materials, the quality of which has been confirmed by laboratory tests
- Innovative, durable and easy to clean Titanium coating
- The mixer is equipped with non-return valves so that the mixed water does not flow back in
- Design full of beauty and harmony
- Anti-calc system facilitating the removal of limescale deposits
- The variety of colours gives many arrangement possibilities
- Dedicated cleaning agent, safe for cleaned surfaces
- Adjustable rain shower height
- The mixer body is made of the highest quality brass