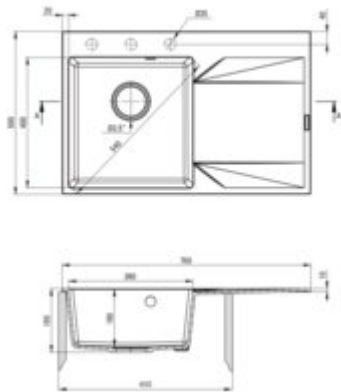


# EVORA

## Granite sink, 1-bowl with drainer

**Product code:** ZQJ\_G11P  
**EAN:** 5907650888314  
**Color:** metallic graphite  
**Warranty [years]:** 18



### Sink

Finish	metallic graphite
Surface type	matte
Material	granite
Installation method	inset
Number of bowls	1
Minimum cabinet width [mm]	450
Width [mm]	500
Length [mm]	760
Height [mm]	195
Bowl depth [mm]	180
Cut-out Length [mm]	740
Cut-out Width [mm]	480
Equipped with accessories	yes
Drain diameter	3.5"
Number of pre-drilled holes	3

### Sink waste kit

Finish	nero
Plug type	automatic
Low siphon/ Space saver	yes
possibility to connect a dishwasher/ washing machine	yes

### Features:

- Properties of Deante granite: resistance to impact, high temperature, discoloration, therm
- Hydrophobic properties repel water molecules
- Space-saving siphon which facilitates e.g. sorting waste
- The finish enriched with silver ions adds antiseptic properties
- Accessories with automatic shut-off of the drain
- Dedicated cleaning agent, safe for cleaned surfaces