

LEHNEN

Wall-mounted seat, foldable

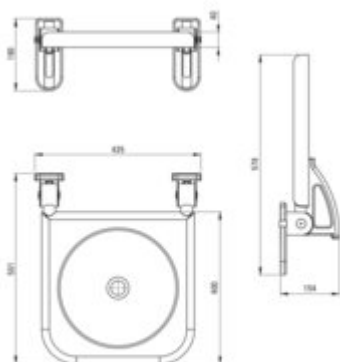


Product code: NIL_T51A

EAN: 5907650835776

Color: anthracite

Warranty [years]: 5



Finish	anthracite
Surface type	polished
Material	stainless steel, glass fibre
Height [mm]	180
Width [mm]	430
Depth [mm]	500
Load [kg]	200
Mounting kit included	yes

Features:

- Only the best materials, the quality of which has been confirmed by laboratory tests
- Easy to keep clean
- Installation kit included
- Dedicated cleaning agent, safe for cleaned surfaces
- The product is classified as a Class I medical device in accordance with Regulation (EU) 2017/745