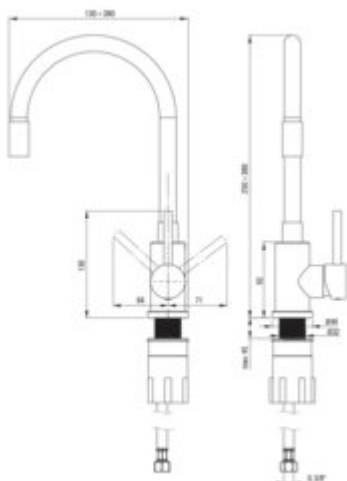


# LUNO Kitchen tap

**Product code:** BOC\_T720  
**EAN:** 5907650866015  
**Color:** anthracite, brushed steel  
**Warranty [years]:** 7



## Mixer

Finish	steel, anthracite metallic
Material	steel 304
Mixer type	single-handle, mixer
Installation method	standing
Flow class [l/min]	A ≤ 15 (9.1 - 15)
Acoustic group [dB]	I (x ≤ 20)

## Mixer cartridge

Ceramic cartridge size	35 mm
------------------------	-------

## Spout

Spout type	elastic
------------	---------

## Aerator

Aerator type	honeycomb
Aerator size	M22

## Connecting hose

Length [mm]	600
Installation thread	3/8"
Connection thread	M10

## Features:

- The mixer is equipped with a stream aerator
- 45 cm connection hoses included
- Only the best materials, the quality of which has been confirmed by laboratory tests
- The mounting sleeve facilitates the installation of the mixer
- Dedicated cleaning agent, safe for cleaned surfaces