

EVORA

Granite sink with tap, 1-bowl with drainer

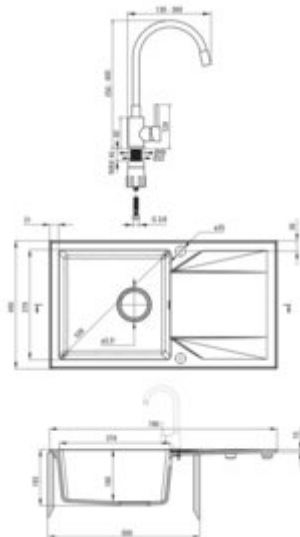
 deante

Product code: ZQJJN113

EAN: 5907650819493

Color: nero

Warranty [years]: 18



Sink

Finish	nero
Surface type	matte
Material	granite
Installation method	inset
Number of bowls	1
Minimum cabinet width [mm]	500
Width [mm]	440
Length [mm]	780
Height [mm]	193
Bowl depth [mm]	180
Cut-out Length [mm]	760
Cut-out Width [mm]	420
Reversible	yes
Equipped with accessories	yes
Drain diameter	3.5"
Number of holes	2
Hydrophobicity	yes

Sink waste kit

Finish	nero
Plug type	automatic
Low siphon/ Space saver	yes
possibility to connect a dishwasher/ washing machine	yes

Mixer

Finish	nero
Mixer type	single-handle, mixer
Installation method	standing
Flow class [l/min]	A <= 15 (9.1 - 15)
Acoustic group [dB]	I (x <= 20)

Mixer cartridge

Ceramic cartridge size	35 mm
------------------------	-------

Spout

Spout type	elastic
Mixer spout range [mm]	380

Aerator

Aerator type	honeycomb
Aerator size	M22

Connecting hose

Length [mm]	600
Installation thread	3/8"
Connection thread	M10

Features:

- Properties of Deante granite: resistance to impact, high temperature, discoloration, therm
- Longest, 18 years warranty
- Accessories with automatic shut-off of the drain
- Hydrophobic properties repel water molecules
- Reversible sink - possibility to install the bowl on the left or the right side