

## ANDANTE

### Granite sink, 2-bowl with drainer

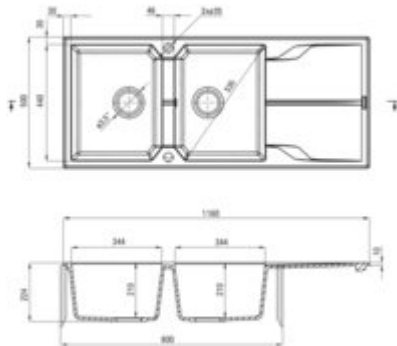


Product code: ZQN\_7213

EAN: 5908212080351

Color: sand

Warranty [years]: 18



#### Sink

Finish	sand
Surface type	matte
Material	granite
Installation method	inset
Number of bowls	2
Minimum cabinet width [mm]	800
Width [mm]	500
Length [mm]	1160
Height [mm]	224
Bowl depth [mm]	210
2nd bowl depth [mm]	210
Cut-out Length [mm]	1140
Cut-out Width [mm]	480
Reversible	yes
Equipped with accessories	yes
Drain diameter	3.5"
Number of holes	2

#### Sink waste kit

Finish	steel
Plug type	automatic, manual
Low siphon/ Space saver	yes
possibility to connect a dishwasher/ washing machine	yes

#### Features:

- Properties of Deante granite: resistance to impact, high temperature, discoloration, therm
- Longest, 18 years warranty
- The sink is equipped with fittings with a connection to the dishwasher
- Accessories with automatic shut-off of the drain
- Hydrophobic properties repel water molecules
- Possibility to buy a sponge hook that fits perfectly with this model.
- Possibility to buy a cloth rail that fits perfectly with this model
- Reversible sink - possibility to install the bowl on the left or the right side
- Dedicated cleaning agent, safe for cleaned surfaces
- Space-saving siphon which facilitates e.g. sorting waste
- Possibility to purchase a drainer that perfectly fits this model
- The finish enriched with silver ions adds antiseptic properties