

LUSITANO

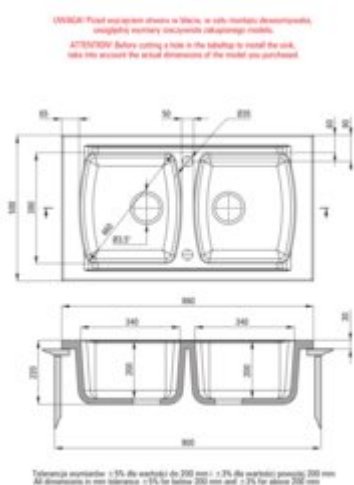
Ceramic sink, 2-bowl

Product code: ZCL_620N

EAN: 5908212037836

Color: white

Warranty [years]: 2



Sink

Finish	white
Surface type	shine
Material	ceramic
Installation method	inset
Number of bowls	2
Minimum cabinet width [mm]	900
Width [mm]	500
Length [mm]	860
Height [mm]	220
Bowl depth [mm]	200
2nd bowl depth [mm]	200
Cut-out Length [mm]	840
Cut-out Width [mm]	480
Reversible	no
Equipped with accessories	yes
Drain diameter	3,5"
Number of holes	2

Sink waste kit

Finish	steel
Plug type	manual
Low siphon/ Space saver	no
possibility to connect a dishwasher/ washing machine	yes

Features:

- Hard and durable ceramics does not lose its properties with long use
- The sink is equipped with fittings with a connection to the dishwasher
- Dedicated cleaning agent, safe for cleaned surfaces