

ZORBA

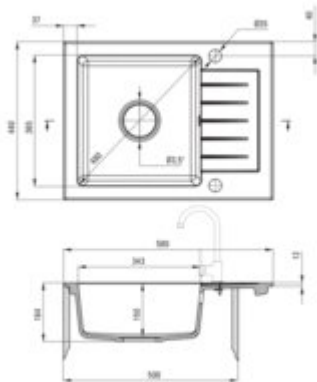
Granite sink, 1-bowl with drainer

Product code: ZQZ_511A

EAN: 5908212093863

Color: beige

Warranty [years]: 18



Sink

| | |
|----------------------------|---------|
| Finish | beige |
| Surface type | matte |
| Material | granite |
| Installation method | inset |
| Number of bowls | 1 |
| Minimum cabinet width [mm] | 500 |
| Width [mm] | 440 |
| Length [mm] | 580 |
| Height [mm] | 164 |
| Bowl depth [mm] | 150 |
| Cut-out Length [mm] | 560 |
| Cut-out Width [mm] | 420 |
| Reversible | yes |
| Equipped with accessories | yes |
| Drain diameter | 3.5" |
| Number of holes | 2 |

Sink waste kit

| | |
|--|-----------|
| Finish | steel |
| Plug type | automatic |
| Low siphon/ Space saver | yes |
| possibility to connect a dishwasher/ washing machine | yes |

Features:

- Properties of Deante granite: resistance to impact, high temperature, discoloration, therm
- Longest, 18 years warranty
- The sink is equipped with fittings with a connection to the dishwasher
- Accessories with automatic shut-off of the drain
- Hydrophobic properties repel water molecules
- Reversible sink - possibility to install the bowl on the left or the right side
- Dedicated cleaning agent, safe for cleaned surfaces
- Space-saving siphon which facilitates e.g. sorting waste
- The finish enriched with silver ions adds antiseptic properties