

ZORBA

## Granite sink with tap, 1-bowl with drainer

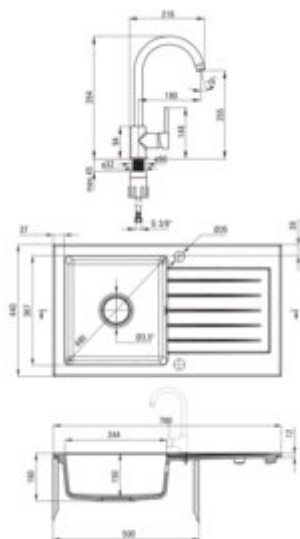
 deante

Product code: ZQZV7113

EAN: 5908212048573

Color: sand

Warranty [years]: 18



### Sink

Finish	sand
Surface type	matte
Material	granite
Installation method	inset
Number of bowls	1
Minimum cabinet width [mm]	500
Width [mm]	440
Length [mm]	760
Height [mm]	160
Bowl depth [mm]	150
Cut-out Length [mm]	740
Cut-out Width [mm]	420
Reversible	yes
Equipped with accessories	yes
Drain diameter	3.5"
Number of holes	2
Hydrophobicity	yes

### Mixer

Finish	sand
Mixer type	single-handle, mixer
Installation method	standing
Flow class [l/min]	Z - 4-9 l/min
Acoustic group [dB]	I (x <= 20)

### Mixer cartridge

Ceramic cartridge size	35 mm
------------------------	-------

### Spout

Spout type	swivel
Mixer spout range [mm]	180

### Aerator

Aerator type	honeycomb
Aerator size	M22

### Connecting hose

Length [mm]	450
Installation thread	3/8"
Connection thread	M10

### Features:

- Properties of Deante granite: resistance to impact, high temperature, discoloration, therm
- Accessories with automatic shut-off of the drain
- The sink is equipped with fittings with a connection to the dishwasher
- Dedicated cleaning agent, safe for cleaned surfaces
- 45 cm connection hoses included
- The mixer is equipped with a stream aerator
- Longest, 18 years warranty
- Space-saving siphon which facilitates e.g. sorting waste
- Hydrophobic properties repel water molecules
- Reversible sink - possibility to install the bowl on the left or the right side
- The mounting sleeve facilitates the installation of the mixer