

# PRIZMA

## Acrylic shower tray, rectangular

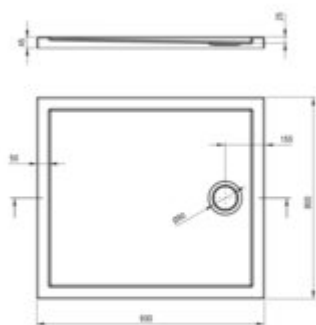


**Product code:** KTJ\_089B

**EAN:** 5907650872221

**Color:** white

**Warranty [years]:** 2



Tolerancje wymiarów: ±1% dla wartości do 200 mm; ±1% dla wartości powyżej 200 mm  
All dimensions in mm tolerance ±1% for below 200 mm and ±1% for above 200 mm

Finish	white
Material	acrylic
Shape	rectangular
Width [mm]	800
Length [mm]	900
Height [mm]	45
Installation method	directly on the spout, on the floor level, on the construction material support
Drain diameter	90

### Features:

- Durable acrylic material that maintains its shine and color
- Only the best materials, the quality of which has been confirmed by laboratory tests
- For installation at floor level, directly on the screed or supported by construction mater
- Note! The NHC\_029C and NHC\_029D siphons are compatible with the shower tray.