

ANDANTE GLASS

Glass-granite sink, 1-bowl with drainer

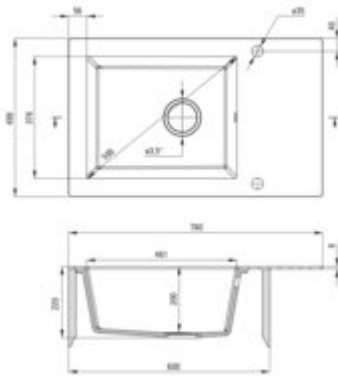


Product code: ZSN_GL1C

EAN: 5908212080313

Color: Graphics, metallic graphite

Warranty [years]: 2



Sink

Finish	Graphics, metallic graphite
Graphics	Andante Glass
Surface type	shine, matte
Material	glass, granite
Installation method	inset, flush
Number of bowls	1
Minimum cabinet width [mm]	600
Width [mm]	488
Length [mm]	780
Height [mm]	220
Bowl depth [mm]	200
Cut-out Length [mm]	760
Cut-out Width [mm]	468
Reversible	yes
Equipped with accessories	yes
Drain diameter	3.5"
Number of holes	2

Sink waste kit

Finish	steel
Plug type	automatic
Low siphon/ Space saver	yes
possibility to connect a dishwasher/ washing machine	yes

Features:

- An innovative combination of glass and granite
- Accessories with automatic shut-off of the drain
- The exceptionally spacious and deep bowl will even accommodate trays taken out of the oven
- Natural antiseptic properties of steel
- Hydrophobic properties repel water molecules
- Reversible sink - possibility to install the bowl on the left or the right side
- The sink is equipped with fittings with a connection to the dishwasher
- Only the best materials, the quality of which has been confirmed by laboratory tests
- Dedicated cleaning agent, safe for cleaned surfaces
- Space-saving siphon which facilitates e.g. sorting waste